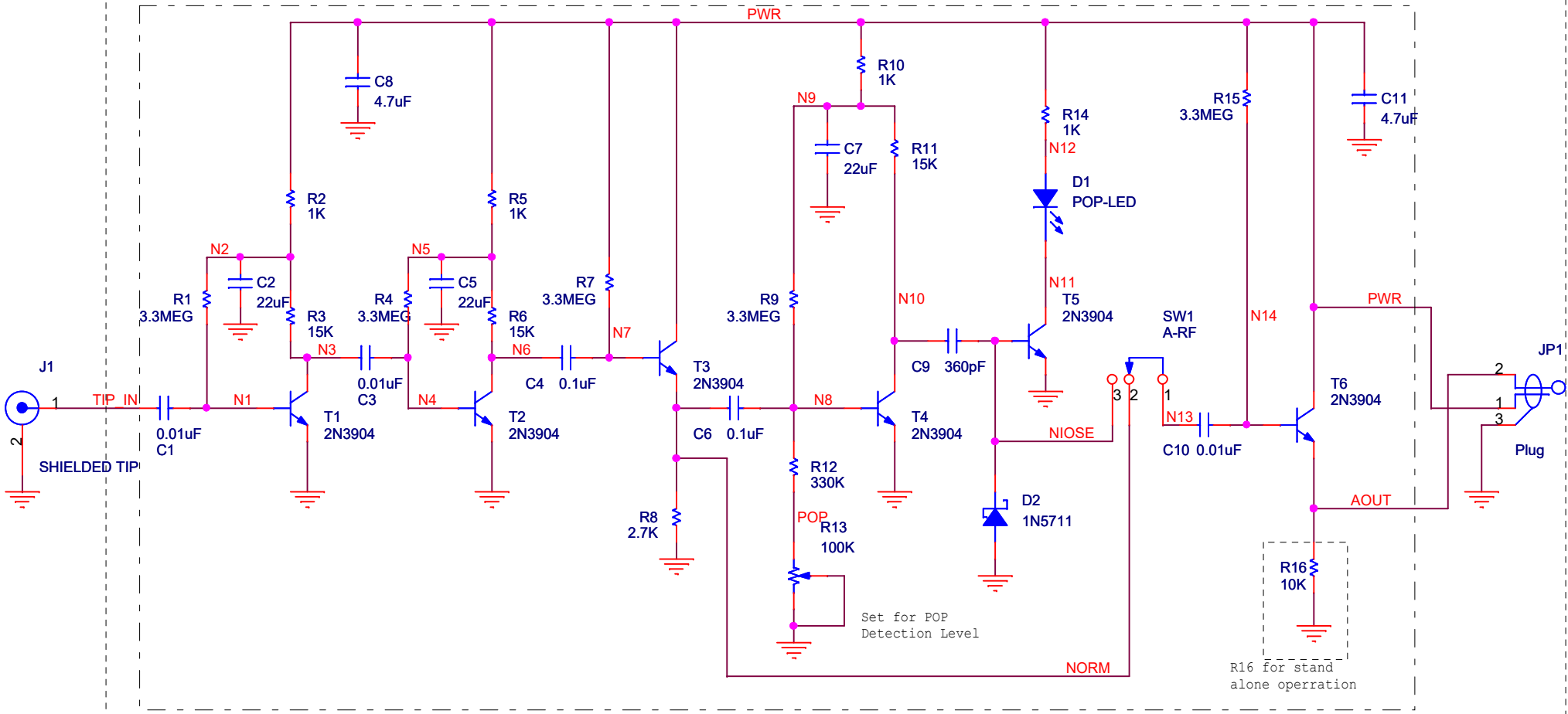


Super Probe MK2 PCB Kit Parts

Super Probe MK1 PCB Kit Parts



Title		
Mr Carlson's Super Probe		
Size	Document Number	Rev
A	<Doc>	v3.0
Date:	Thursday, August 31, 2023	Sheet 1 of 1